

Instructions for Lemon Receivers

DSMX and DSM2 Compatibility

Lemon makes receivers in both DSM2 and DSMX versions. DSMX is a development of the earlier DSM2 specification that includes frequency hopping for more reliable operation in areas of high potential interference from other 2.4GHz transmitters. DSM2 receivers are generally lower cost.

Lemon DSMX receivers work with any DSMX transmitter and are backward compatible with DSM2 transmitters.

Lemon DSM2 receivers will work with either a DSM2 transmitter or a DSMX transmitter operating on DSM2. Most Spektrum DSMX transmitters work in both modes and will automatically detect a DSM2 receiver at bind time. If you experience difficulty getting a DSM2 receiver to bind with a DSMX transmitter, try the option to force the transmitter into DSM2 mode if available.

Binding

Binding is the process of “locking” the receiver to its own transmitter so that it ignores any others in the area. Binding is the first step in setting up any receiver. Ensure the transmitter and receiver are separated by at least 6 ft/2m or the transmitter may “swamp” the receiver. In some cases it may be necessary to have 10ft/3m or more separation to achieve binding. Generally you should only need to bind once and, after binding, normal link-up should not require more than a couple of feet of separation.

Step 1. Power up the receiver in bind mode

For most receivers: put the bind plug on to the bind pins. For 6channel Ultra Light and Micro Light receivers, press and hold in the bind button.

Connect a suitable power source to the receiver throttle servo pins. This can be:

- a receiver pack battery; or
- a stand-alone BEC; or
- the throttle connection from your speed controller (ESC) with inbuilt BEC (if the ESC is in a model, disconnect the motor or remove the propeller).

The red LED on the receiver will flash rapidly to indicate bind mode. If it doesn't, you have a problem (such as reversed power connector). Make sure it is flashing before going any further.

Step 2. Turn on transmitter in bind mode

On some transmitters bind mode is activated by holding the Trainer button/switch while powering up. Others require going into a menu to enable bind mode.

Continue to hold the switch/button until the receiver LED stops flashing. Release it at that point and the bind process will complete. A solid light on the LED indicates successful bind.

Some transmitters will display on screen the type of bind (DSM2 or DSMX) and the frame rate (normally 22mS).

Step 3. Power down

Remove power from the receiver, **remove the bind plug**, switch the transmitter off and back on, then apply power to the receiver. Check that the receiver is operating properly and that servos respond to the transmitter controls.

NOTES:

1. If your receiver uses a satellite then binding must be done with the satellite connected. Both receiver and satellite LEDs should flash rapidly, then become solid.
2. Binding can be done with or without servos. Servos plugged in the wrong way round may prevent binding, so check this if you have difficulty.
3. Always perform a range check after binding, using the range check function on your transmitter. This attenuates transmitter power so that range is reduced by a factor of about 30. With Spektrum and similar transmitters, full control in range check mode at 30 yds/25m (roughly 30 paces for many adults) indicates ample range for normal visual flying. It is good practice to perform a range check at the beginning of every day's flying to ensure everything is working properly.

What the LEDs mean

All Lemon receivers and satellites have a red LED. Some, including the 7channel stabilizer, also have a green LED.

1. A rapidly flashing red LED indicates the receiver is in Bind mode
2. A solid red LED indicates normal radio link between receiver and transmitter.
3. No red LED means there is no radio link.
4. A slowly flashing red LED on a receiver in DSM2 mode indicates that there has at some stage been a power loss (however brief), sometimes called a "brown out". The flashing may indicate an inadequate receiver power supply or it may mean simply that the operator failed to turn off the transmitter when powering down the receiver. It does not indicate a range issue. Receivers in DSMX mode do not provide "brownout warning".
5. On the 8/10 channel DSM2 and 10 channel DSMX receivers a rapidly flashing Green LED at power up indicates 11mS frame rate mode.
6. On receivers equipped with a failsafe button, a solid green LED indicates that user-defined preset failsafe is enabled. No green LED indicates that failsafe is in the default throttle-only mode. This is explained below.

7. The 7ch stabilizer has both red and green LEDs that are used to indicate binding, version and stabilization status. See the separate stabilizer instructions for information on setting up the stabilizer.

Aerials and satellites

All Lemon receivers are full range, including the “Light” series. In practice Lemon receivers match, or better, the range of other comparable DSM2/DSMX receivers under the same conditions. However range is affected by the number of aerials (antennas) and their orientation, as well as by the installation in the model.

Lemon receivers and satellites have one active aerial wire and some also have a second identical “reflector” wire. For the strongest and most reliable reception:

1. The two wires should stick straight out from the receiver/satellite and be in the same straight line. Aerials that are bent along the receiver/satellite board may have 10-15% reduced range.
2. If a satellite is connected, it should be located at some distance from the main receiver, not right next to it.
3. If a satellite is connected, most reliable reception is obtained when the satellite aerial and main receiver aerial are at right angles.

A receiver with only a single aerial wire (including satellite-enabled receivers when operated without a satellite) will generally have less range by about 10-15% than twin aerial wire receivers. This is still ample range for normal flying.

NOTES:

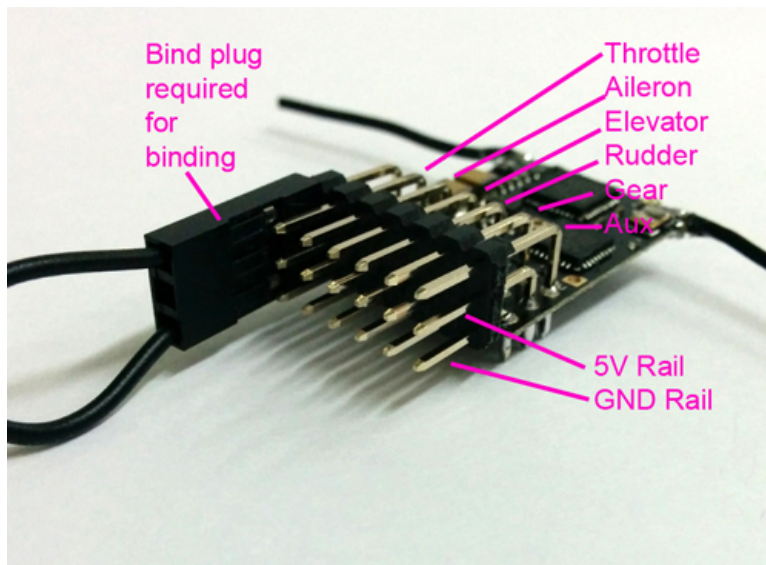
1. A satellite does not increase the maximum available range. What it does is to increase the reliability of reception no matter what the orientation of the model. A satellite is a complete receiver and the main receiver chooses the stronger of its own signal or that of the satellite. By orienting the satellite aerial at right angles to the main one and separating the two receivers, there is a much better chance of maintaining a strong signal no matter the orientation of the model with respect to the transmitter aerial.
2. Strongest reception occurs when the transmitter and receiver aerials are oriented parallel to one another. Minimum transmitter power is radiated off the end of the transmitter antenna, so avoid pointing it at the model.
3. Conductive materials such as foil coverings, batteries, metal components and carbon fiber can absorb and shield the incoming weak radio signal, resulting in dramatically reduced range. 2.4GHz systems have a very short wave length and are very susceptible to this. Receiver aerials need to be placed so that this effect is minimized. Helicopters, multicopters and gliders that use lots of carbon fiber construction require particular care in locating receivers and satellites to ensure that at least one aerial receives a clear signal regardless of orientation. Range testing is essential.

Connections and switches on the various Lemon receivers

The following shows currently available receivers. Discontinued models may be slightly different.

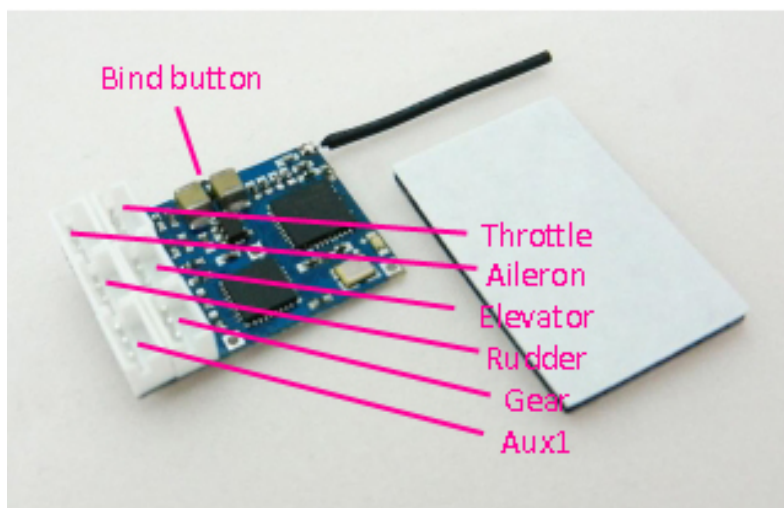
Lemon receivers have the identification of connections, plug orientation and switch function printed on the PC board or the case. Note that the positive and ground pins for all channels (and the bind pins) are connected together.

The 6 channel DSM2 (end pin and straight pin versions are the same)



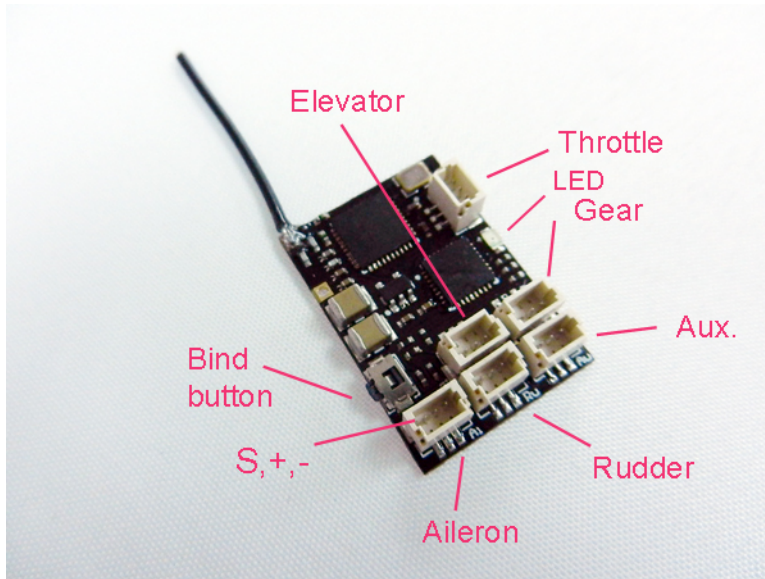
The 6 channel Ultra Light – with JST-ZH 1.5mm pitch connectors.

(These are Spektrum AR6300 Nanolite receiver style connectors)

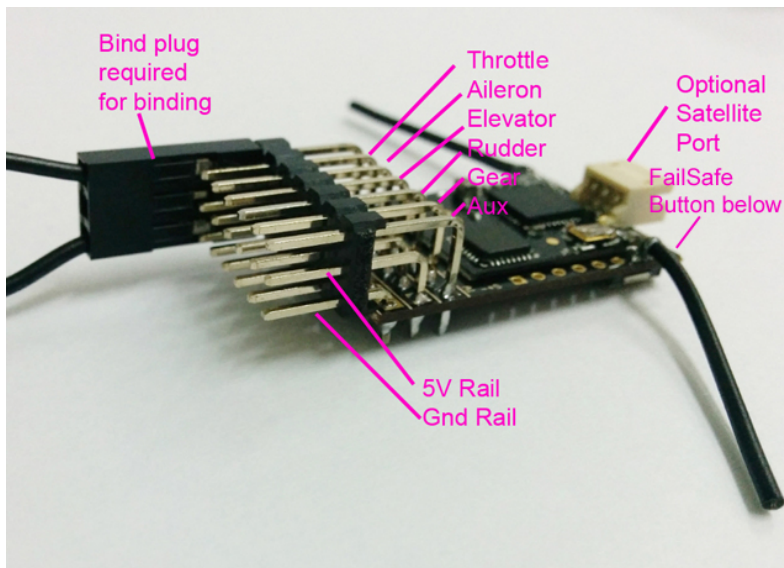


The 6 channel Micro Light – with JST-SH 1.0mm pitch connectors.

(These are Spektrum AR6400 Brick style connectors for linear servos)



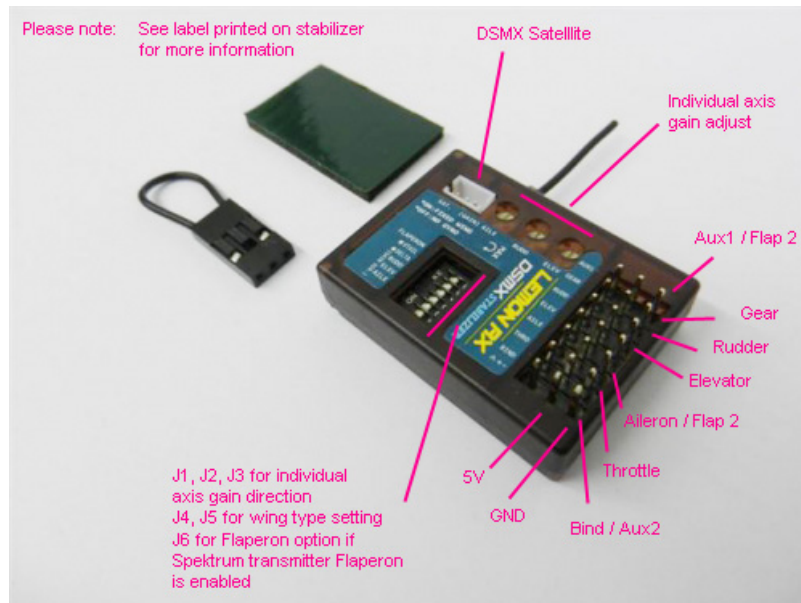
The 6 channel DSMX



Only use a DSMX satellite with this receiver.

The 7 channel DSMX stabilizer

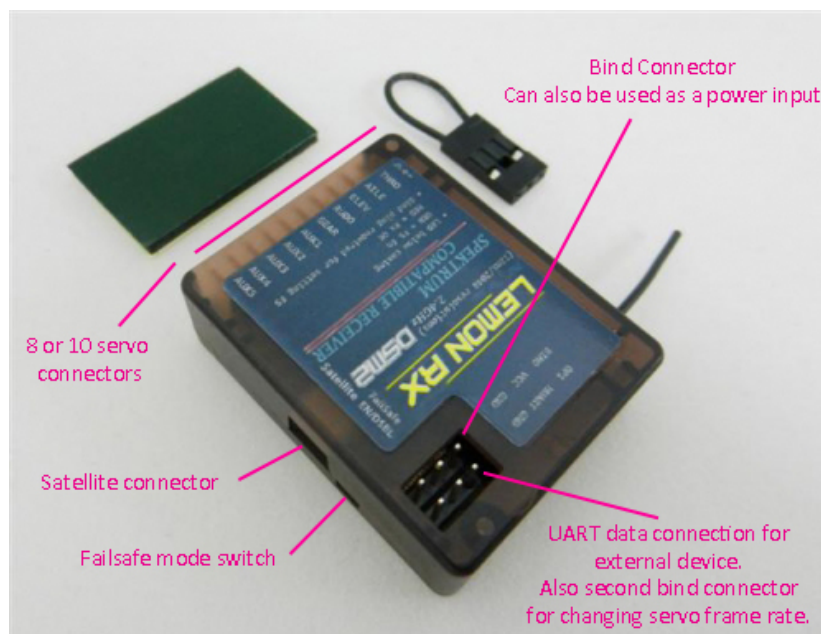
See separate instructions for details of how to set up the 7ch stabilizer.



Only use a DSMX satellite with this receiver.

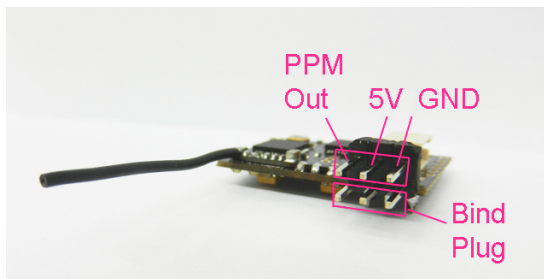
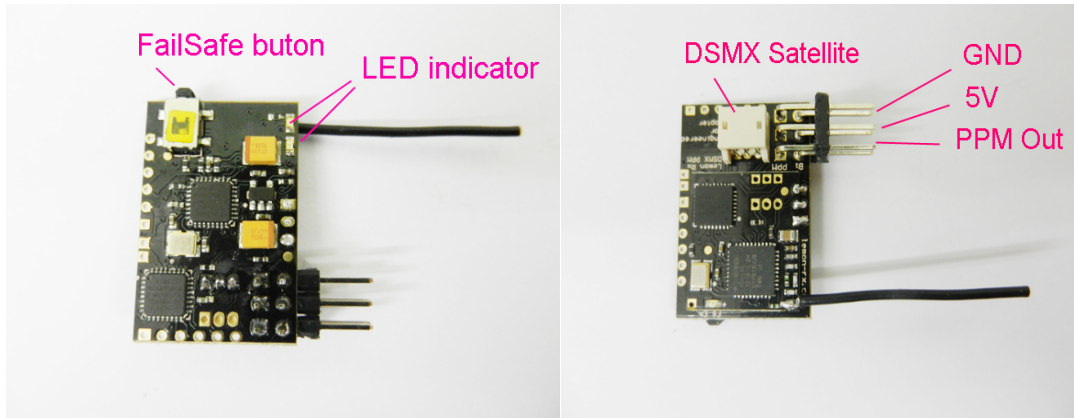
The 8 and 10 channel receivers

These receivers are available in DSM2 and DSMX versions. Use only the matching type of satellite.



On these receivers there is a connector next to the bind connector labeled "UART". This is a serial connection, which can provide data to other external devices such a controller or on-screen display. It is not used for a stand-alone receiver. However a second bind plug can be used in this connector to enable an 11mS refresh rate for high speed digital servos (see below).

The DSMX PPM 8 channel receiver



This receiver does not allow for connection of servos or a speed control. It is designed to provide a PPM stream suitable for use by a flight controller.

The Satellite Receivers

DSMX and DSM2 satellites look similar and the correct satellite should be used with a receiver. The plastic housing is marked with DSMX or DSM2.



Using 11mS frame rate

Both DSM2 and DSMX versions of the 8 channel and 10 channel receivers can be set to function in 11mS mode. Only do this when all servos are digital and capable of an 11mS refresh rate.

1. Insert bind plugs into both the Bind and UART connectors on the receiver.
2. Provide power to the unit. The red LED should flash rapidly.
3. Enable bind mode in transmitter (ensuring a distance separation of at least 6 feet/2 meters from receiver).
4. When the receiver binds and the LED is solid, power down and remove both bind plugs.
5. Every time from now on when the receiver is powered, a quickly flashing green LED indicates 11ms frame rate is enabled.
6. To cancel 11mS mode, rebind normally without the UART bind plug.

Failsafe

The primary purpose of failsafe is to minimize the risk of injury and damage should the receiver lose signal while the model is powered up. The key safety requirement is therefore that the motor be shut down on loss of signal.

Three types of failsafe are used by the various Lemon receivers:

1. Throttle-only preset

On loss of signal, the throttle goes to a preset position (full low) determined by the position of the throttle stick during binding. Other channels hold their current position. This is equivalent to the Spektrum "Smart Failsafe" approach.

This is the type of failsafe used by the "Light" series of receivers and is the default for other receivers except the 7 channel stabilizer.

2. User-defined Preset

This type requires the operator to set the desired failsafe positions of all controls while binding. This allows for such special failsafe requirements as having a glider go into a spiral with spoilers deployed in order to prevent a fly-away. Likewise, multicopters may have specific failsafe requirements, such as a command to return home using GPS.

This is an option on the 6 channel DSMX and the 8 and 10 channel receivers.

3. No Pulse

Modern speed controls (ESCs) go automatically to OFF if no control pulses are available. This important safety feature can be used to achieve appropriate failsafe behavior if the receiver on loss of signal sends no pulses to the ESC. The Lemon 7 channel stabilizer receiver takes advantage of this feature and simply sends no pulses to the ESC (or other channels) in case of signal loss. This results in the motor shutting down and the control surfaces not moving.

An advantage of this approach is that it does not rely on the operator to ensure that the throttle stick is at low position when binding.

However you should be aware of this behavior if using a non-electric model, or using an ESC which does not have auto off.

Changing failsafe mode

The default failsafe when binding receivers (except the 7 channel stabilizer) is throttle-only preset. Where user-defined preset is available as an option, the receiver can be set to use it as follows:

1. Plug in the bind plug. Do not have the transmitter in bind mode.
2. Power up the receiver.
3. Set the transmitter controls to the desired failsafe positions.
4. Press in the failsafe switch.
5. Green LED will turn on to indicate positions have been stored.

Whenever the receiver is powered up, the green LED will indicate “user-defined failsafe”. If signal is lost, the receiver will output the preset positions after approximately 3 seconds and maintain them until a signal is received again.

To return to throttle-only preset, simply rebind the receiver normally.

=====

Written by RCGroups user **jj604**, 4 September, 2014

Thanks to RCGroups user **Daedalus66** for corrections and comments.